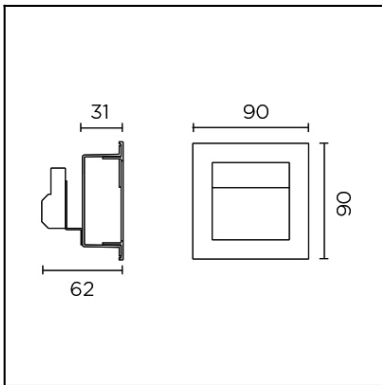
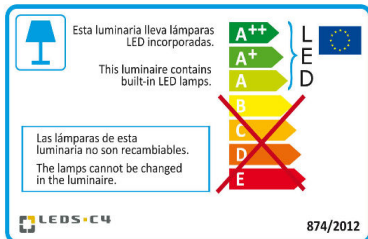




The photograph may not match the reference exactly. Please read the product description to identify the finish.



[Download photometric file .ldt / .ies](#)



[Click on image to download energy label](#)

TECHNICAL CHARACTERISTICS

Type:	SIGNAL
IP Protection degrees:	IP20
Light source 1:	1 x LED Cree 2,2W Warm White - 3000K 170 lm ^(N)
Total power consumption (W):	2.2
Voltage / Frequency:	max. 700mA
Warranty (Years):	2
Option to extend the guarantee (Years):	5
Units per box:	24
Net Weight (Kg):	0.27
EAN:	8435111098578



MATERIALS / FINISHES

Structure material: Injected aluminium

Structure finish: White

GEAR

Necessary equipment not included. For more information check website / catalogs / sales organization.

Lm^(N): Nominal flow of light in actual working conditions. Its actual flow will depend on the environmental conditions and the efficiency of the optics and/or diffuser.

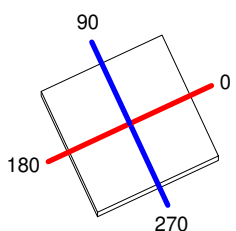
LEDS-C4 reserves the right to make the necessary technical changes they deem adequate, in order to improve the features of the product.

Please consult the sales team to clarify any doubt.

Luminaire		Measur.		Lamp	
Code	EP-0356-N3-00	Code	EP-0356-N3-00	Code	LAMP EP-0356-N3-00
Name	Downlight Ind. 1 led 3W 700mA	Name	Downlight Ind. 1 led 3W 700mA	Number	1
Line	Eulumdat	Date	17-05-2010	Position	
Efficiency	100.00%	Coordinate system	CG	Total Flux	80.32 lm
Maximum value	67.77 cd	Position	C=90.00 G=75.00	Sym. on planes	270-90
Rectangular Luminaire	Length 90 mm	Width	90 mm	Height	3 mm
Rectangular Luminous Area	Length 40 mm	Width	60 mm	Height	1 mm
Horizontal Luminous Area	0.002400 m2	Emitting area on Plane 180°	0.000040 m2	Emitting area on Plane 270°	0.000060 m2
Emitting area on Plane 0°	0.000060 m2	Glare area at 76°	0.000619 m2		
Emitting area on Plane 90°					
Symmetry Type	Sym. on planes 270-90	Maximum Gamma Angle	90	Measurement Flux	80.32 lm
Measurement Distance	0.00				
Operator	Asselum	Source voltage			
Temperature	25.00 °C	Source current			
Humidity	60.00 %	Photocell			
Notes					

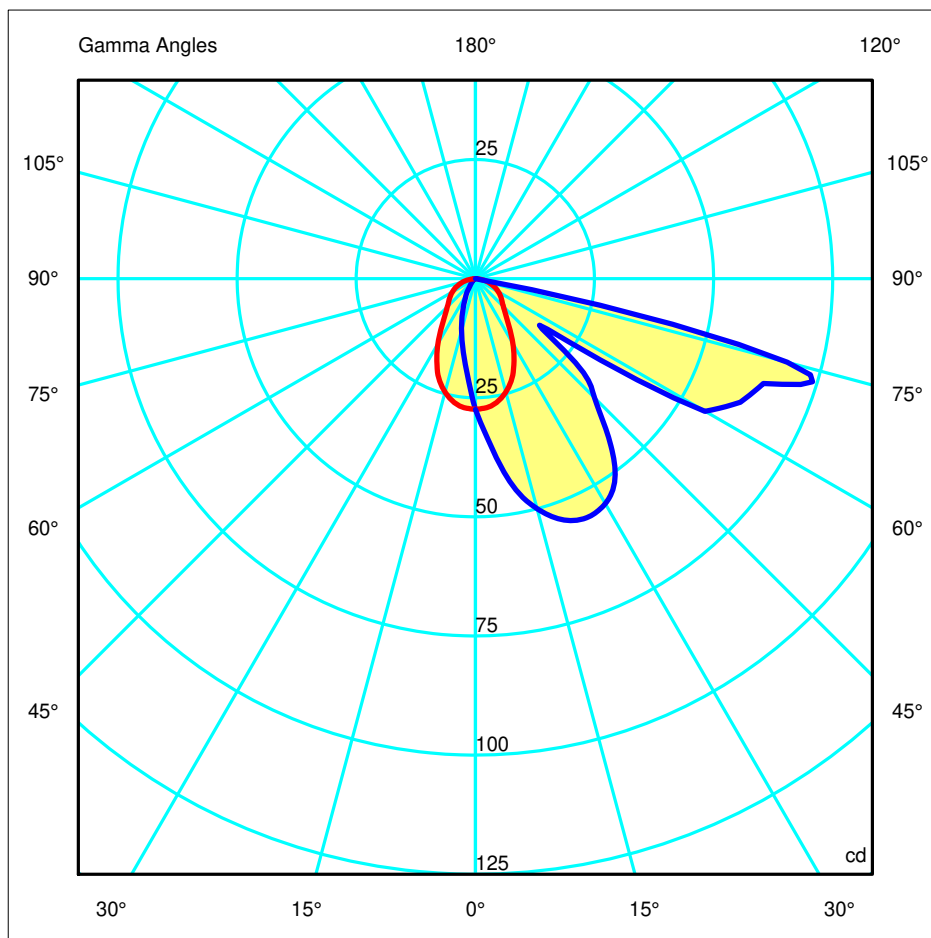
Luminaire Lamps						
Line	Code	Name	Flux [lm]	Pow. [W]	Q.ty	
Eulumdat	LAMP EP-0356-N3-00	LAMP EP-0356-N3-00 - 3.00 W	80.32	3.00	1	
C.I.E.	45 66 94 100 100	D DIN 5040				
F UTE	1.00 F	B NBN				
		A30				
		BZ 5				

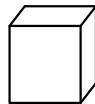
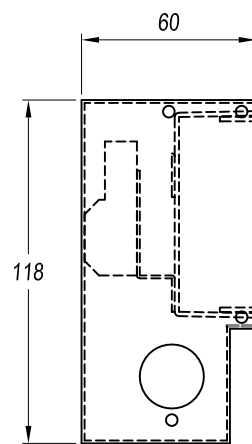
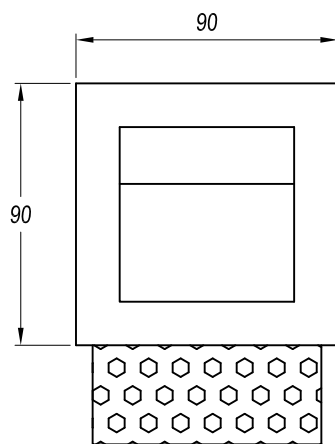
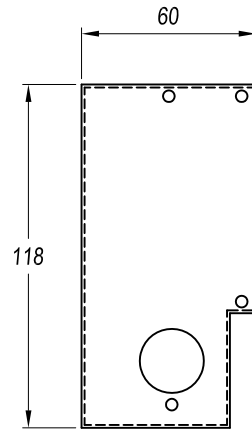
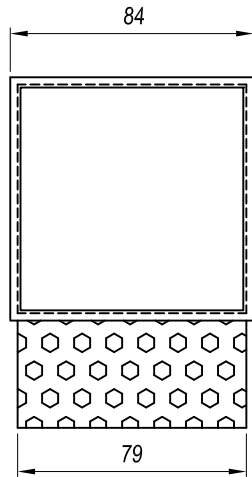
90mm x 90mm



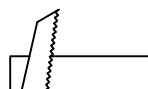
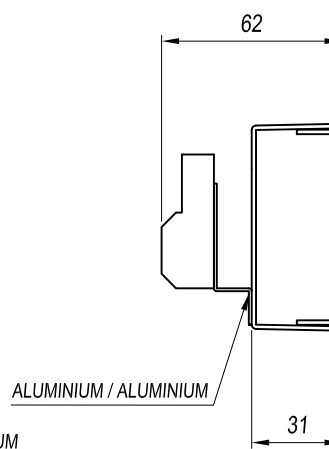
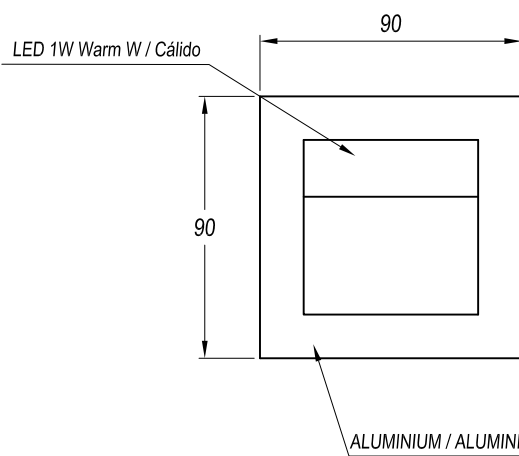
C Halfplanes
 270.0 ———— 0.0
 180.0 ———— 90.0

ULOR 0.00 %
 DLOR 100.00 %
 RN 0.00 %



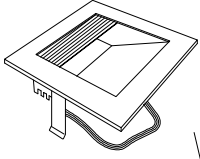


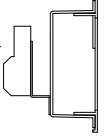
80x120x62 con caja / with box

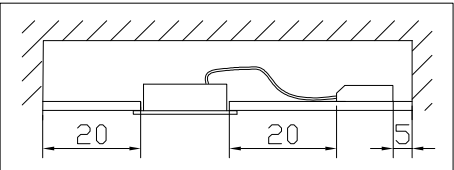



77x77 sin caja / without box

1

With box  80x120x62

Without box  77x77

OFF

